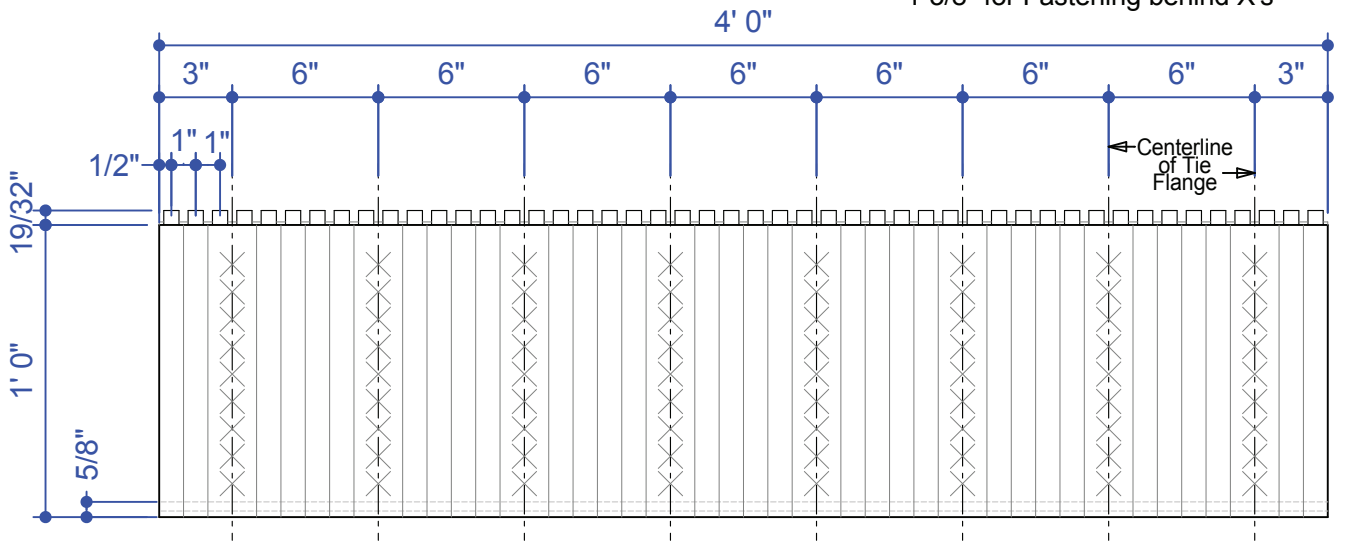
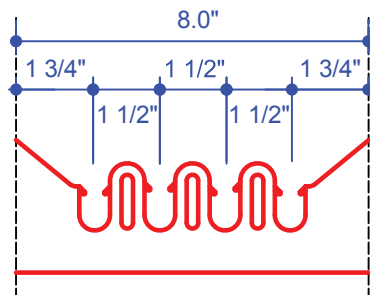


Standard 8" Block - Top View

Note : Tie flange Width of 1-3/8" for Fastening behind X's

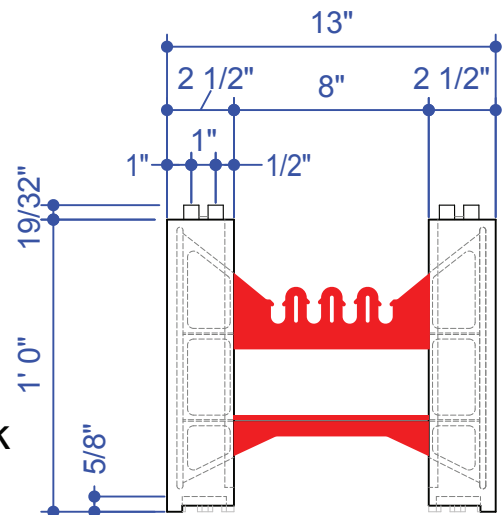


Standard 8" Block - Front View



8" Typical Tie Detail
Scale 2:1

8" Standard Block
Typical Section



8.0" Standard Block