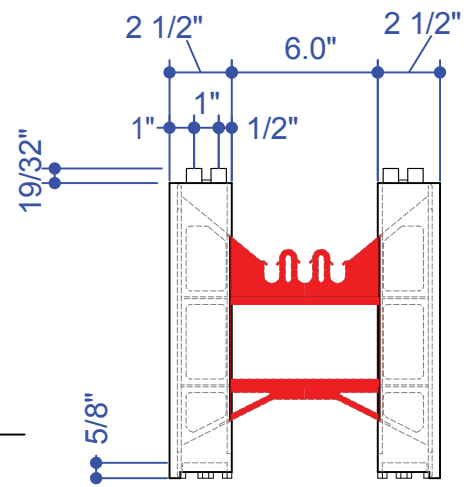


A  
1

6.0" Standard Block  
Typical Section



## 6.0" Standard Block