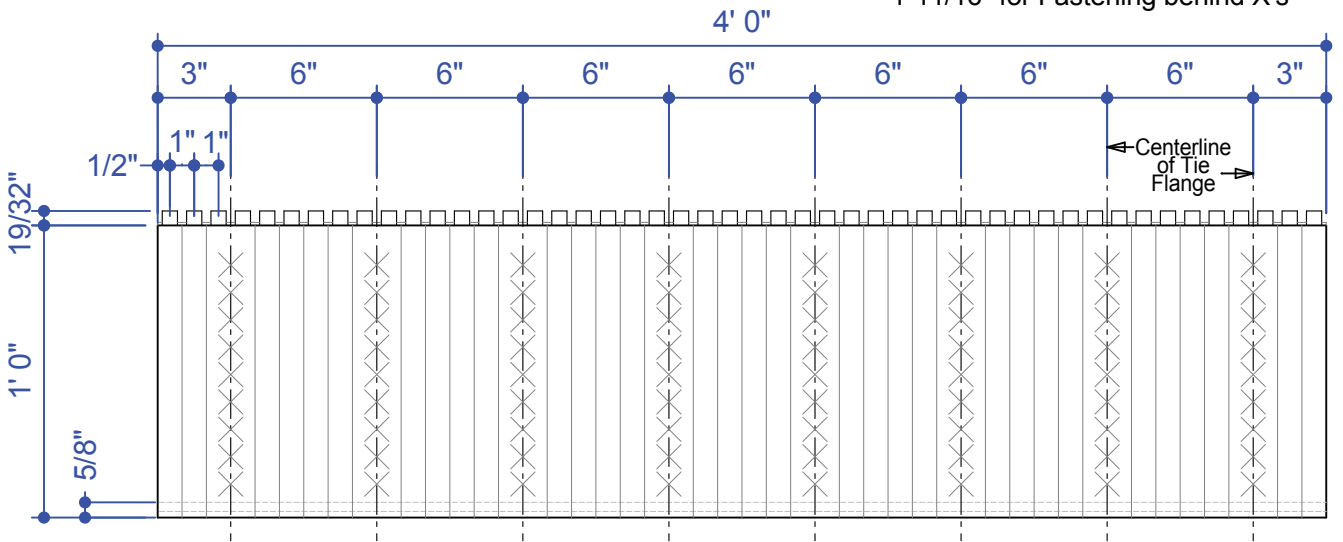
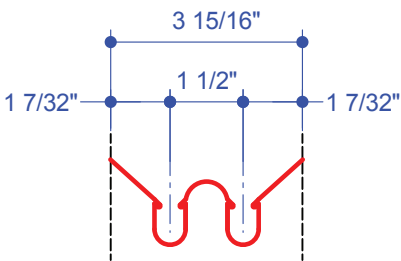


Standard 4" Block - Top View

Note : Tie flange Width of 1-11/16" for Fastening behind X's

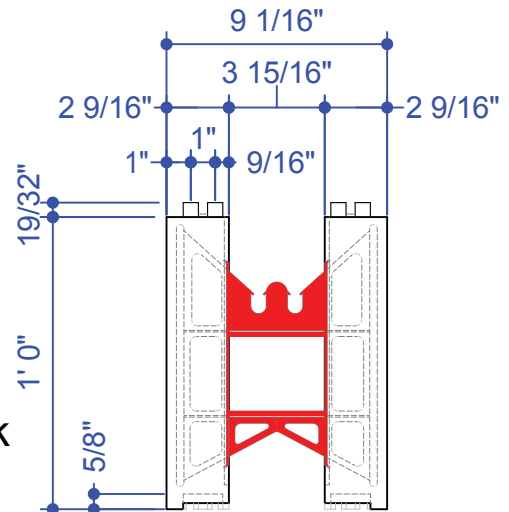


Standard 4" Block - Front View



4" Typical Tie Detail  
Scale 2:1

4" Standard Block  
Typical Section



## 4.0" Standard Block